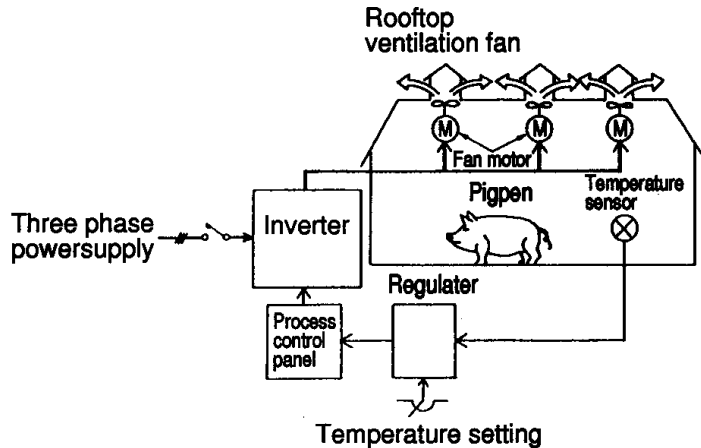


# FLOW CONTROL OF VENTILATION FANS FOR CATTLE SHED

Main Driver:  
VFA7, VFS9



Due to increasing size and elimination of windows in the cattleshed, improvement of ventilation efficiency has become important. Temperature/ humidity control of the cattle shed will enhance cattle growth and improve productivity along with saving energy. In this case, the rooftop ventilation fan is driven by a variable revolution control inverter.

## Advantage of adopting an inverter

1. Optimum environment  
A comfortable breeding environment can be created by varying the ventilation according to the ambient temperature automatically.
2. Energy saving  
Revolution control by using an inverter will bring significantly lower energy consumption.
3. Noise reduction  
Reduction of revolutions of the fan at night will bring a quieter environment.
4. Application to existing facility is possible.

[operational state]

Temperature proportional control is applied: e.g. the fan operated at 100% revolutions at 30 degree C, and when the temperature drops to 25 degree C at night, at 75% revolutions proportionally controlled.