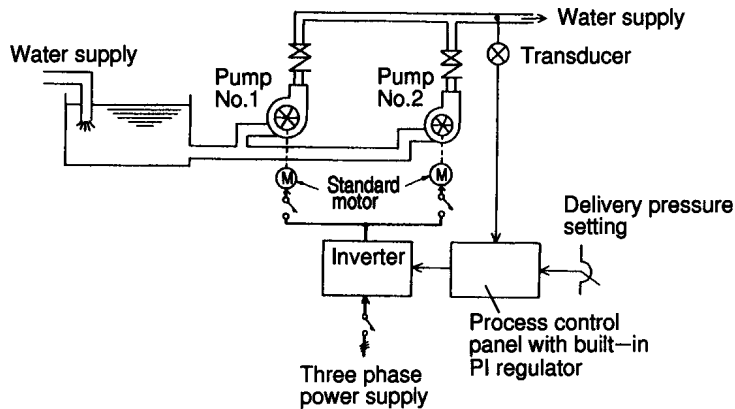


AUTOMATIC WATER SUPPLY SYSTEM

Main Driver:
VFA7 / VFS9



This is an example of the adoption of an inverter for a pump system used in a school service water supply system. Peak consumption of school service water supply occurs during recess hours and the consumption becomes extremely low at night ¥. By varying the pump speed controlled by an inverter, energy saving is realized.

Advantages of adopting an inverter

1. Energy saving

The loading variation is very large depending on whether it is day or night and weekday of holiday. Significant energy saving is achieved by using an inverter controlled variable speed motor.

[operation state]

The output of the inverter is varied by a processor comparing the detected water supply pressure with the delivery pressure setting pressure in order to keep the pressure constant. This figure illustrated an example where 2 pumps are alternately operated and switched every 24 hours.