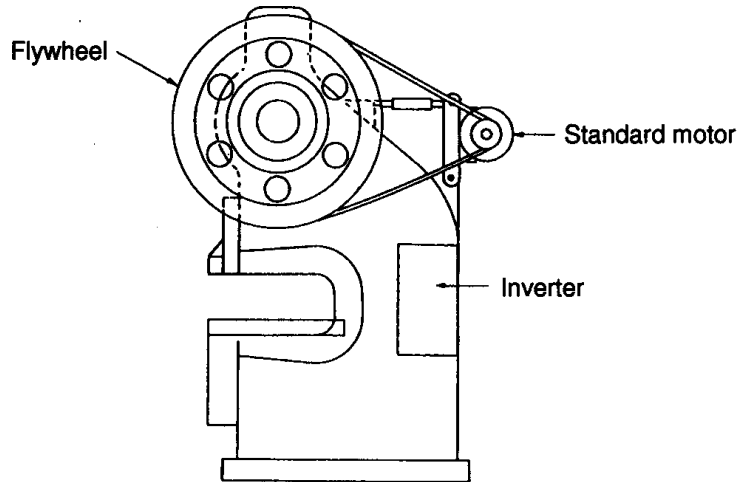


PRESS MACHINE

Main Driver:
VFA7



This is an example of modification of an existing press machine by adding inverter control in order to enable variable speed operation. The press stroke number can be changed in accordance with working conditions improving working efficiency.

Advantages of adopting an inverter

1. Improvement of **working efficiency**
Depending upon the pressed material, thickness and working condition, the stroke number of the press can be optionally set improving working efficiency. Also, it enables increasing the stroke number by raising inverter output frequency.
2. The drive motor is a standard type; less expensive than a conventional DC motor. Variable speed operation of standard motor enables **standardization** of the machine.

Note on application

1. On operation of a press machine, loading is intermittent and peak current flows. On selection of machine capacity, please contact TSIJ.