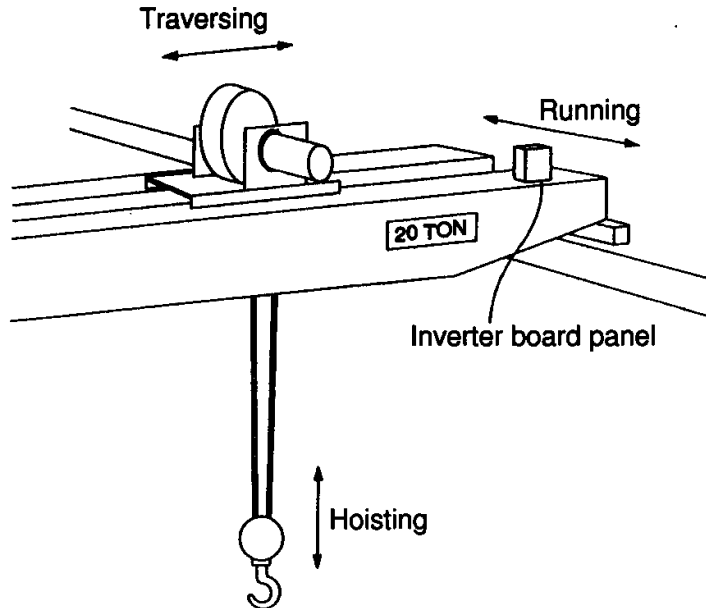


# CRANE SYSTEM

Main Driver:  
VFA7



An example of inverter controlled movement; traversing, axial movement and hoisting of a crane system. Cushioned start/ stop enables swingless cargo handling.

## Advantages of adopting an inverter

### 1. **Swing prevention**

Cushioned start/ stop prevents cargo swinging and reduces noise and vibration.

### 2. **Precise positioning** on stopping the run; extra **slow run**, and **fast run** without carrying cargo is available.

## Note on application

1. When applying an inverter to a hoisting motor, sufficient torque is required in slow speed operation and consideration on frequency setting is necessary. Please inquire to TSIJ.