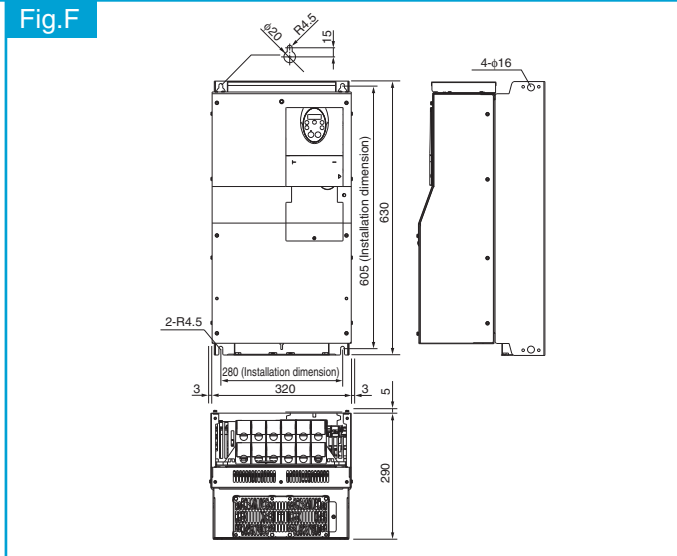
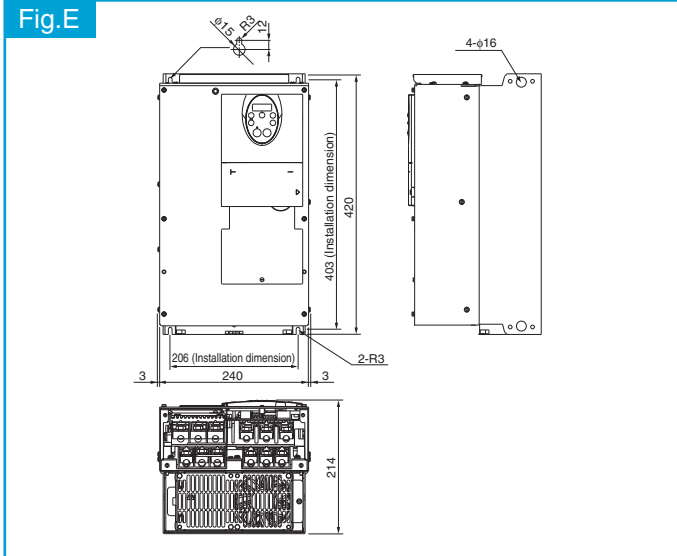
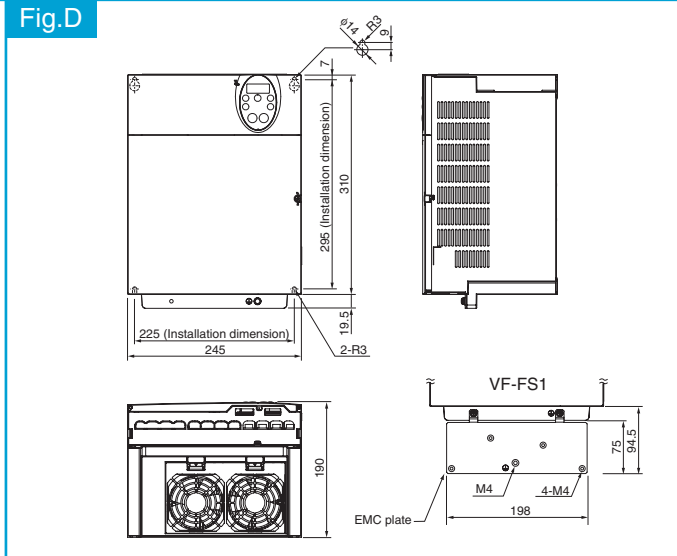
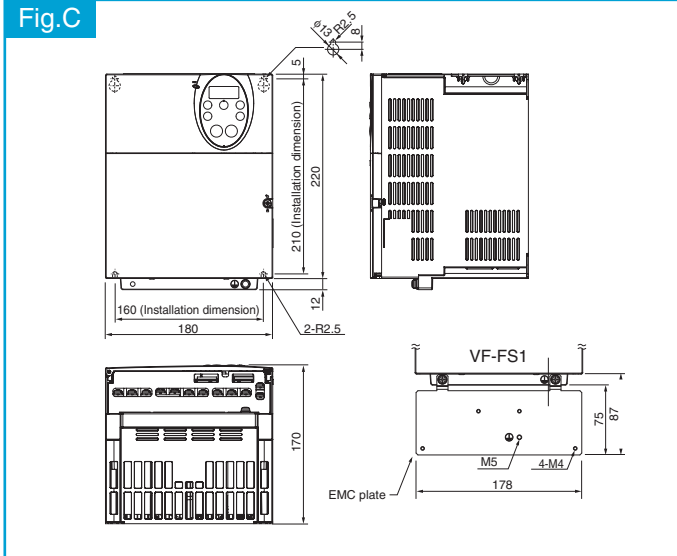
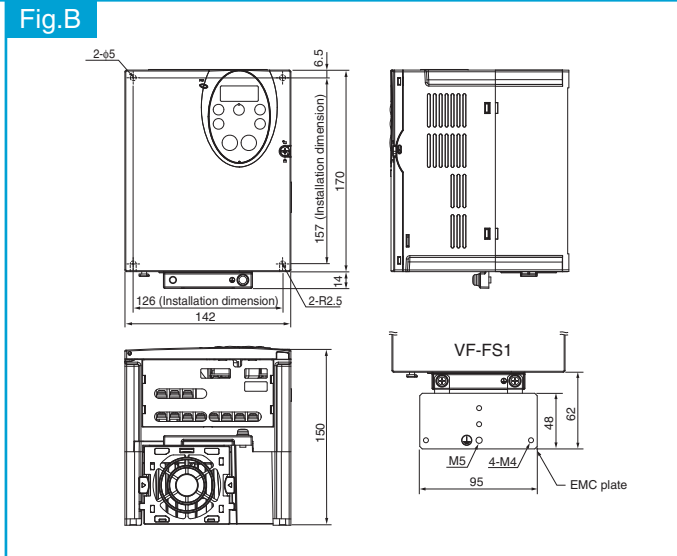
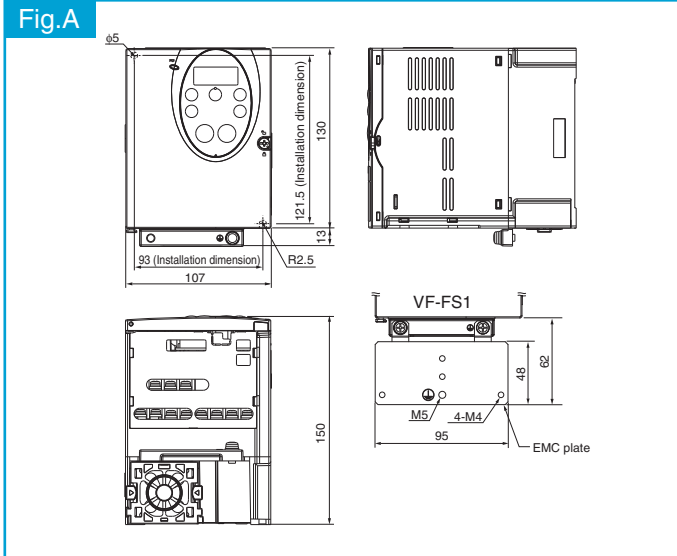


External dimension



Note 1: To make it easier to grasp the dimensions of each inverter, dimensions common to all inverters in these figures are shown with numeric values but not with symbols.
Here are the meanings of the symbols used.
W: Width
H: Height
D: Depth
W1: Mounting dimension (horizontal)
H1: Mounting dimension (vertical)
H2: Height of EMC plate mounting area

Note 2: Here are the available EMC plate
Fig.A, Fig.B : EMP004Z (Approx. weight : 0.1kg)
Fig.C : EMP005Z (Approx. weight : 0.3kg)
Fig.D : EMP006Z (Approx. weight : 0.3kg)

Note 3: The models shown in Fig. A is fixed at two points: in the upper left and lower right corners.

Voltage class	Applicable motor (kW)	Inverter type	Dimensions (mm)						Drawing	Approx. weight (kg)
			W	H	D	W1	H1	H2		
3-phase 200V	0.4	VFFS1-2004PM	107	130	150	93	121.5	13	A	1.2
	0.75	VFFS1-2007PM								
	1.5	VFFS1-2015PM								
	2.2	VFFS1-2022PM								
	3.7	VFFS1-2037PM	142	170	150	126	157	14	B	2.1
	5.5	VFFS1-2055PM								
	7.5	VFFS1-2075PM	180	220	170	160	210	12	C	4.3
	11	VFFS1-2110PM								
	15	VFFS1-2150PM								
	18.5	VFFS1-2185PM	245	310	190	225	295	19.5	D	8.6
22	VFFS1-2220PM	8.9								
30	VFFS1-2300PM	240	420	214	206	403	—	E	16.4	
3-phase 400V	0.4	VFFS1-4004PL	107	130	150	93	121.5	13	A	1.4
	0.75	VFFS1-4007PL								
	1.5	VFFS1-4015PL								
	2.2	VFFS1-4022PL								
	3.7	VFFS1-4037PL	142	170	150	126	157	14	B	2.4
	5.5	VFFS1-4055PL								
	7.5	VFFS1-4075PL	180	220	170	160	210	12	C	4.7
	11	VFFS1-4110PL								
	15	VFFS1-4150PL								
	18.5	VFFS1-4185PL	245	310	190	225	295	19.5	D	9.0
22	VFFS1-4220PL	15.4								
30	VFFS1-4300PL	240	420	214	206	403	—	E		